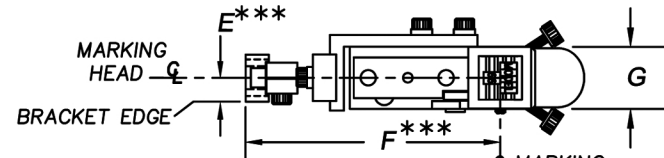


AIR CYLINDER
PORTS ARE 10-32

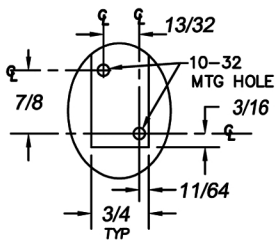
FACTORY ORDERED FLOW
CONTROLS ACCOMMODATE
EITHER 6mm OR
1/4" O.D. TUBE

BOTTOM
MTG HOLE

D***

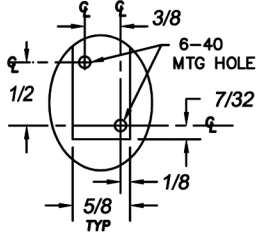


MODEL 44 AND LARGER



BRACKET
MOUNTING DETAIL

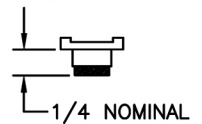
MODEL 22 & 28



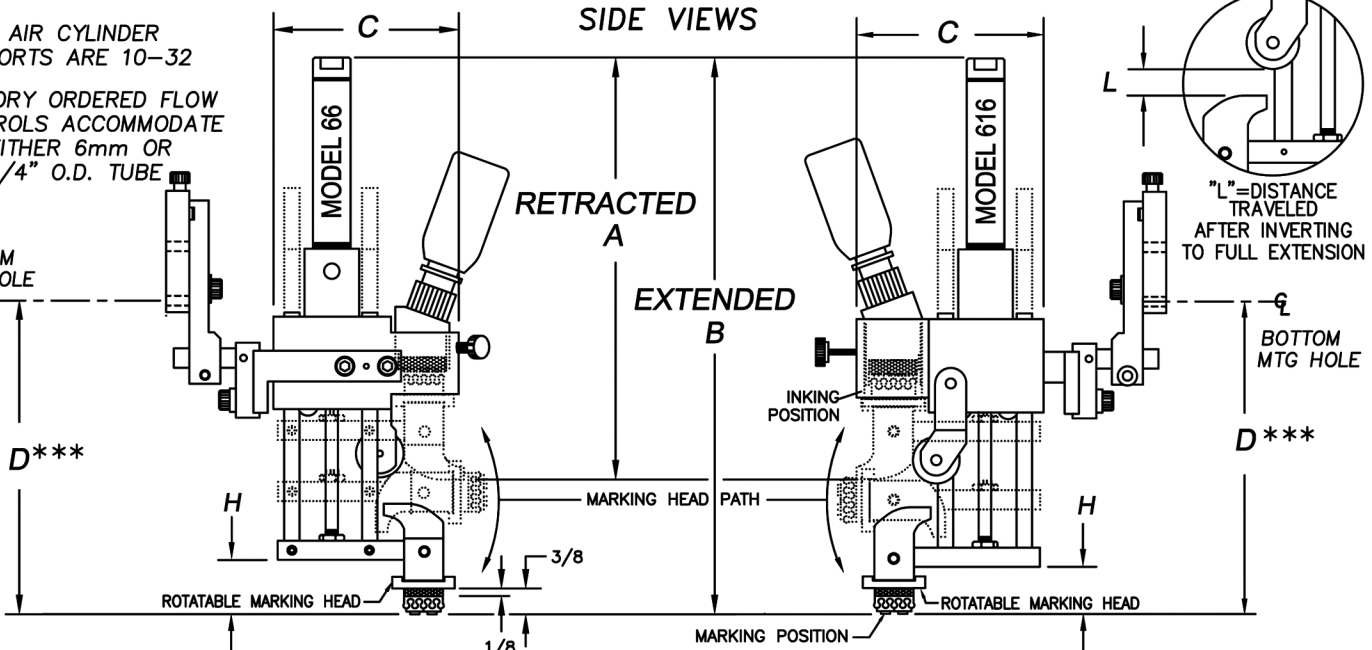
BOTTOM VIEWS

MODEL 66 & 616 SHOWN ABOVE
FOR ILLUSTRATIVE PURPOSES

DOT MARKING HEAD



SIDE VIEWS



RETRACTED

EXTENDED

ROTATABLE MARKING HEAD

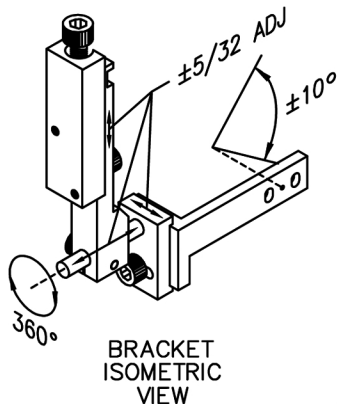
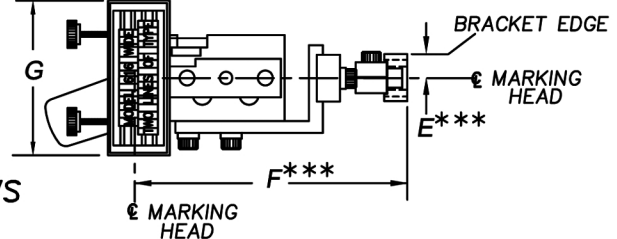
MARKING POSITION

ROTATABLE MARKING HEAD

"L"=DISTANCE
TRAVELED
AFTER INVERTING
TO FULL EXTENSION

BOTTOM
MTG HOLE

D***



BRACKET
ISOMETRIC
VIEW

DIMENSIONAL CHARACTERISTICS (IN INCHES)									
MODEL	22	28	44	66	88	1010	416	616	816
LINES OF TYPE *									
DOT MARKER		1	1	2	3	4	1	2	3
DIM.									
A	4-9/16	4-9/16	6-1/4	7-3/8	7-3/8	7-3/8	6-1/4	7-3/8	7-3/8
B	6	6 **	8-3/8**	9-3/8	9-3/8	9-3/8	8-3/8**	9-3/8	9-3/8
C	2	2	2-3/8	3	3-5/16	3-9/16	2-3/8	3	3-3/8
D	3-9/16	3-9/16**	5 **	5	5	5	5 **	5	5
E	5/16	5/16	3/8	3/8	3/8	3/8	3/8	3/8	3/8
F	3	3	3-5/8	4-1/16	4-3/16	4-5/16	3-7/8	4-5/16	4-7/16
G	5/8	1-3/8	3/4	1	1-3/8	1-5/8	2-1/2	2-1/2	2-1/2
H	9/16	9/16**	11/16**	13/16	13/16	13/16	11/16**	13/16	13/16
L	5/32	5/32	1/2	1/2	1/2	1/2	1/2	1/2	1/2

NOTE:

ALL DIMENSIONS ARE NOMINAL AND SUBJECT TO
STANDARD MANUFACTURING/ASSEMBLY TOLERANCES

*TWO TIE KNOTS RUBBER TYPE

** ASSUMES TYPE HOLDER / TYPE USED (NO RUBBER CUSHION)

*** DIMENSION IS NOMINAL TO CENTER OF ADJUSTMENT RANGE FOR EACH AXIS

COPYRIGHT © 2002-2011, SPRINTER MARKING, INC. ALL RIGHTS RESERVED.