

EXTERNAL REWINDER

Operating Manual



Copyright by Carl Valentin GmbH / 7952050.1218

Information on the scope of delivery, appearance, performance, dimensions and weight reflect our knowledge at the time of printing.

We reserve the rights to make modifications.

All rights, including those regarding the translation, are reserved.

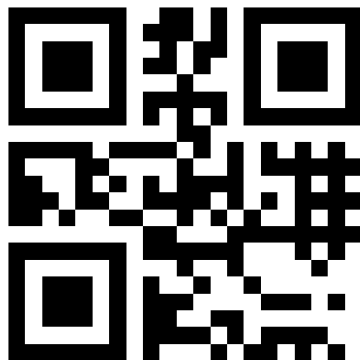
No part of this document may be reproduced in any form (print, photocopy or any other method) or edited, copied or distributed electronically without written permission from Carl Valentin GmbH.

Due to the constant further development of our devices discrepancies between manual and device can occur.

Please check www.carl-valentin.de for the latest update.

Trademarks

All named brands or trademarks are registered brands or registered trademarks of their respective owners and may not be separately labelled. It must not be concluded from the missing labelling that it is not a registered brand or a registered trademark.



REDEMAC
3540 Griffith St, Saint-Laurent
Quebec H4T 1A7

www.redemac.com
request@redemac.com
Phone: (888) 335-9570

Table of Contents

Table of Contents	3
1 Introduction	5
1.1 General Instructions	5
1.2 Intended Use	5
1.3 Safety Instructions	6
1.4 Environmentally-Friendly Disposal	7
2 Product Description	9
2.1 Function	9
2.2 Device Type	9
2.3 Technical Data	10
2.4 Overview	11
3 Initiation	13
3.1 Unpacking	13
3.2 Scope of Delivery	13
3.3 Setting up the Rewinder	13
3.4 Connecting PR12 and PR17 to the Electric Circuit	14
3.5 Connecting PR10 and PR15 to the Electric Circuit	15
4 Settings	17
4.1 Selecting the Winding Direction	17
4.2 Adjusting the Reverse Roller for PR12 and PR17	18
5 Label Rewinding	19
5.1 Rewinding Directly onto Rewinding Shaft	19
5.2 Rewinding onto 40 mm Cardboard Core	21
5.3 Rewinding onto 76 mm Cardboard Core	23
6 Index	25

1 Introduction

1.1 General Instructions

Important information and instructions in this document are designated as follows:



DANGER identifies an extraordinarily great and immediate danger which could lead to serious injury or even death.



WARNING identifies a possible danger would could lead to serious bodily injury or even death if sufficient precautions are not taken.



CAUTION indicates a potentially dangerous situation which could lead to moderate or light bodily injury or damage to property.



NOTICE gives you tips. They make a working sequence easier or draw attention to important working processes.



Gives you tips on protecting the environment.



Handling instruction



Optional accessories, special fittings

Time

Information in the display

1.2 Intended Use

The device is a state-of-the-art device which complies with the recognized safety-related rules and regulations. Despite this, a danger to life and limb of the user or third parties could arise and the device or other property could be damaged while operating the device.

The device may only be used while in proper working order and for the intended purpose. Users must be safe, aware of potential dangers and must comply with the operating instructions. Faults, in particular those which affect safety, must be remedied immediately.

The device is intended exclusively as a peripheral unit for the printers of Compa II series to rewind suitable materials that have been approved by the manufacturer. Any other or additional use is not intended. The manufacturer/supplier is not liable for damage resulting from misuse. Any misuse is at your own risk.

Intended used includes heeding the operating manual, including the maintenance recommendations/regulations specified by the manufacturer.



NOTICE!

The complete documentation is included in the scope of delivery on CD ROM and can also currently be found in the internet.

1.3 Safety Instructions

**WARNING!**

Risk of injury by moving parts!

During operation the rotating rewinding axis with the mounted outside label guiding is accessible.

⇒ Keep loose hanging jewellery, hair etc. clear from the moving parts.

Operate the device in a dry environment only and do not get it wet (sprayed water, mist etc.).

Maintenance and servicing work can only be carried out by trained personnel.

Operating personnel must be trained by the operator on the basis of the operating manual.

Never use highly inflammable consumables.

Do not operate the device in explosive atmosphere and not in proximity of high voltage power lines.

Carry out only the actions described in these operating instructions. Any work beyond this may only be performed by the manufacturer or upon agreement with the manufacturer.

Unauthorized interference with electronic modules or their software can cause malfunctions.

Other unauthorized work or modifications to the device can endanger operational safety.

Always have service work done in a qualified workshop, where the personnel have the technical knowledge and tools required to do the necessary work.

There are warning stickers on the device that draw your attention to dangers. Therefore the warning stickers are not to be removed as then you and others cannot be aware of dangers and may be injured.

**CAUTION!**

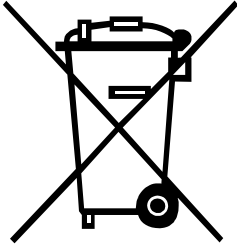
Risk of damage!

⇒ Switch off the printer when mounting or removing the rewinding unit.

**CAUTION!**

Risk of damage!

⇒ Do not change the rewinding direction when rewind axis is turning.



1.4 Environmentally-Friendly Disposal

Manufacturers of B2B equipment are obliged to take back and dispose of old equipment that was manufactured after 13 August 2005. As a principle, this old equipment may not be delivered to communal collecting points. It may only be organised, used and disposed of by the manufacturer. Valentin products accordingly labelled can therefore be returned to Carl Valentin GmbH.

This way, you can be sure your old equipment will be disposed of correctly.

Carl Valentin GmbH thereby fulfils all obligations regarding timely disposal of old equipment and facilitates the smooth reselling of these products. Please understand that we can only take back equipment that is sent free of carriage charges.

The electronics board of the printing system is equipped with a battery. This must only be discarded in battery collection containers or by public waste management authorities.

Further information on the WEEE directive is available on our website www.carl-valentin.de.

2 Product Description

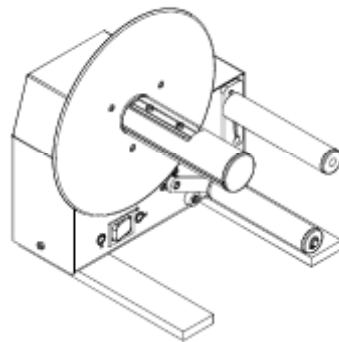
2.1 Function

External rewinding units are peripheral devices for label printers of the Compa II series. During the processing of large print orders huge label rolls can be taken up independently of the printer.

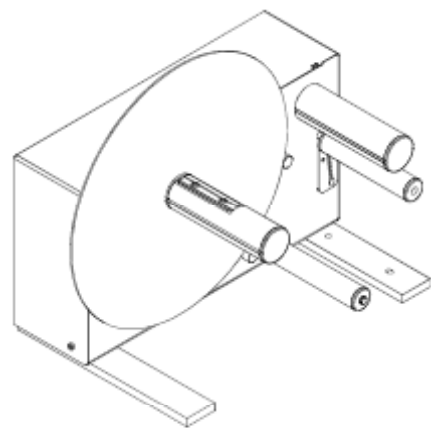
For an exact alignment of the external rewinders PR12 and PR17 with the printer, a connection set is offered (part no. 90.66.090).

2.2 Device Type

PR10/PR15



PR12/PR17



Type	Material width (mm)		Rewinding diameter (mm)	
	max. 120	max. 180	max. 210	max. 300
PR10	x	-	x	-
PR12	x	-	-	x
PR15	-	x	x	-
PR17	-	x	-	x

2.3 Technical Data

Material width	PR10/PR12: max. 120 mm PR15/PR17: max. 180 mm			
Rewinding diameter	PR10/PR15: max. 210 mm PR12/PR17: max. 300 mm			
Core diameter	40 mm on rewind axis 40 mm on cardboard core 76 mm with label guiding on cardboard core			
Winding speed	max. 300 mm/s			
Label winding	Labels outside/inside			
Operating temperature	50°F - 95°F (10 to 35°C) at 30 - 85% humidity, non condensing			
Storage temperature/ transport temperature	4°F - 122°F (-20 to 50°C) at 10 - 85% humidity, non condensing			
Rewinder dimensions		Height	Width	Depth
	PR10	280 mm	260 mm	270 mm
	PR12	350 mm	280 mm	390 mm
	PR15	280 mm	320 mm	270 mm
	PR17	350 mm	340 mm	390 mm
Weight	PR10: 5.0 kg PR12: 6.0 kg PR15: 5.3 kg PR17: 6.3 kg			
Operating tension	110 - 240 V~ / 50 - 60 Hz			

2.4 Overview

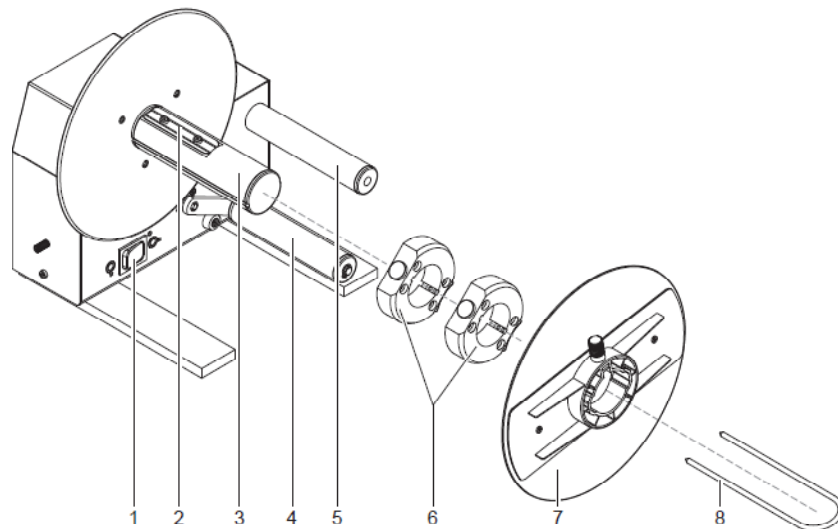


Figure 1

- 1 = Rocker switch
- 2 = Spring steel sheet
- 3 = Rewinding axis cpl.
- 4 = Switch roll
- 5 = Reverse roller
- 6 = Ring cpl.
- 7 = Outside label guiding cpl.
- 8 = Clip

3 Initiation

3.1 Unpacking

- ⇒ Lift the rewinder out of the box.
- ⇒ Check the rewinder for transport damages.
- ⇒ Check delivery for completeness.

3.2 Scope of Delivery

- External rewinder.
- 2 x ring 75 mm.
- Outside label guiding.
- Clip.
- Documentation.

**NOTICE!**

Retain original packaging for subsequent transport.

3.3 Setting up the Rewinder

**CAUTION!**

The rewinder and the print media can be damaged by moisture and water.

- ⇒ Set up the rewinder only in a dry place protected from sprayed water.
- ⇒ Set up the rewinder on a level, vibration-free and air draught-free surface.

3.4 Connecting PR12 and PR17 to the Electric Circuit

**WARNING!**

Risk of injury by rotating parts!

- ⇒ Set the power switch to '0' before plugging in the label printer.
- ⇒ When switching on the rewinder starts immediately and winds until the label material is tightened.

The rewinders PR12/PR17 are equipped with a versatile power supply unit (100-240 V~). The device may be operated with a mains voltage of 115-230 V~/ 50-60 Hz without any adjustments or modifications.

**CAUTION!**

The rewinder can be damaged by undefined switch-on currents.

- ⇒ Set the power switch to '0' before plugging in the label printer.

3.5 Connecting PR10 and PR15 to the Electric Circuit



VORSICHT!

Damage risk of electronics!

⇒ Switch off the printer before mounting the rewinder.

As default the printer is delivered with a mounted front plate (1). Before mounting the rewinding unit the front plate is to be removed.



CAUTION!

Risk of damage to the printer and the rewinder!

⇒ Switch off the printer before mounting the rewinder.

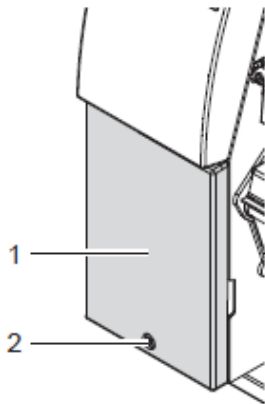


Figure 2

1. Loosen screw (2).
2. Remove front plate (1).
3. Mount the external rewinding unit to the printer.

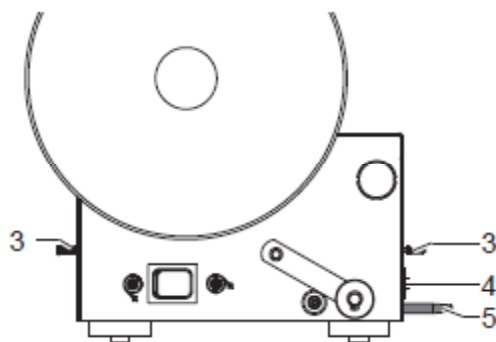


Figure 3

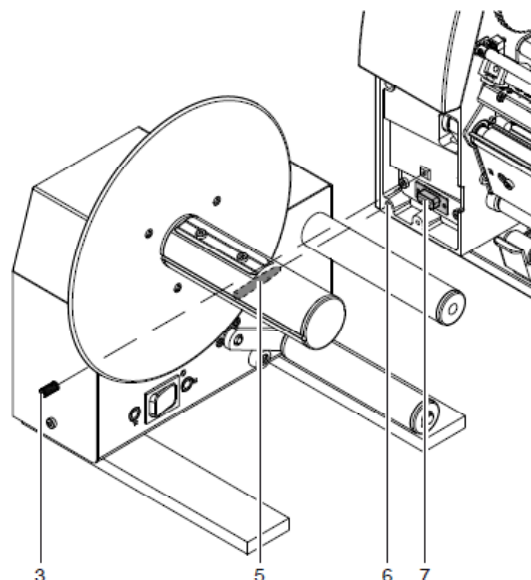


Figure 4

4. Insert the rewinder with the centring pin (5) into the guiding bores (6) of the printer.
5. Press the rewinder against the printer. That way the connector (4) of the rewinder will be connected to the peripheral connection (7) of the printer.
6. Secure the rewinder by tightening the tension axis(3).

4 Settings

4.1 Selecting the Winding Direction



NOTICE!

The winding direction is to be selected in dependence of the label material. The labels can be inside or outside.

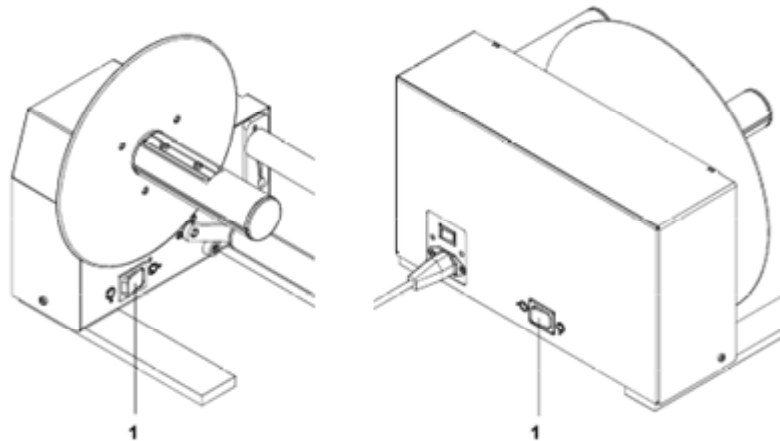


Figure 5



CAUTION!

Risk of damage to the transmission!

⇒ Switch off the printer before changing the winding direction.

1. Switch off the device.
2. Set the switch (1) according to the desired winding direction.

	PR10/PR15	PR12/PR17
Winding direction with labels inside		
Winding direction with labels outside		

4.2 Adjusting the Reverse Roller for PR12 and PR17



NOTICE!

In dependence of the used printer the reverse roller is to be adjusted in such a way that the label band is led as horizontal as possible from the printer into the rewinding unit.

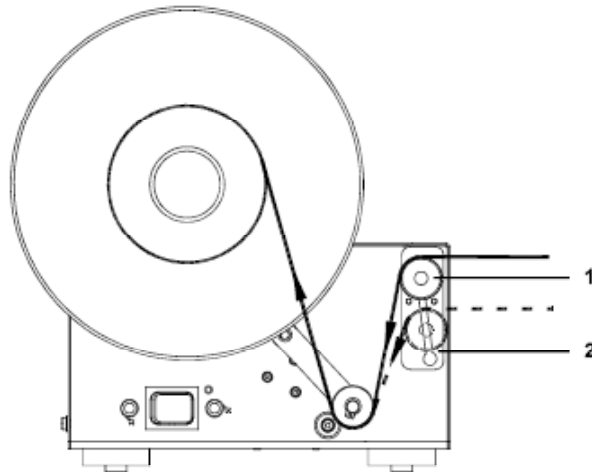


Figure 6

1. Loosen the reverse roller (1) by turning counter clockwise.
2. Shift the intermediate piece (2) to the desired position.
3. Fix again the reverse roller (1) by turning in clockwise direction.

5 Label Rewinding

5.1 Rewinding Directly onto Rewinding Shaft



WARNING!

Risk of injury by rotating parts!

⇒ When switching on the rewinder starts immediately and winds until the label material is tightened.

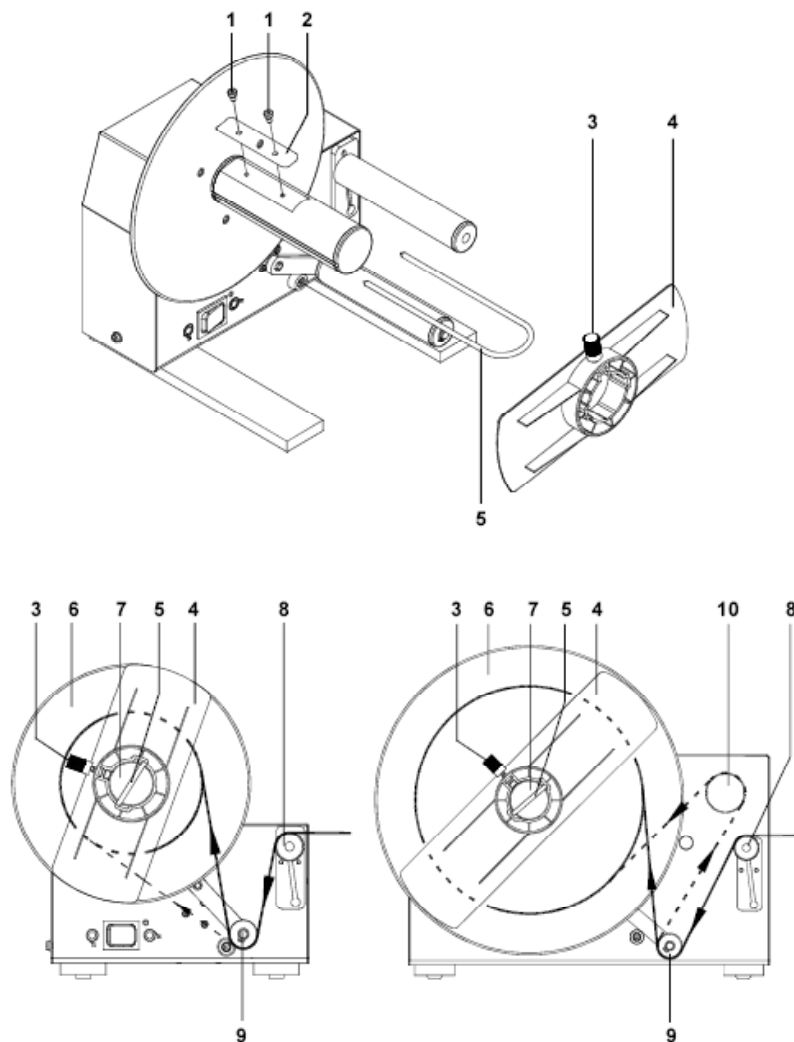


Figure 7

PR10/15

PR12/17

1. Loosen screws (1) and remove spring steel sheet (2).
2. With consideration of the selected winding direction, guide the label band through the reverse roller (8) and switch roll (9) to the rewinding shaft (7).
full line = labels outside
broken line = labels inside

**NOTICE!**

When using the rewinding units PR12 and PR17 with inside wound label rolls then the label band is to be led over the reverse roller (10).

**CAUTION!**

Danger of irregularities in the label band run!

⇒ Pay attention to a good fitting at the winding disk.

4. Press the label band with the clip (5) as far as possible to the winding disk (6).
5. Slide the label guiding (4) with the collar outwards onto the rewinding shaft so that the collar rests slightly at the label band. The label band must be able to move slightly between the winding disk and the label guiding.
6. Tighten the knurled screw (3).

**NOTICE!**

The rewinding unit is ready for operation if the printer starts a label feed.

5.2 Rewinding onto 40 mm Cardboard Core



WARNING!

Risk of injury by rotating parts!

⇒ When switching on the rewinder starts immediately and winds until the label material is tightened.



NOTICE!

The spring steel sheet (1) must be mounted onto the rewinding axis (2).

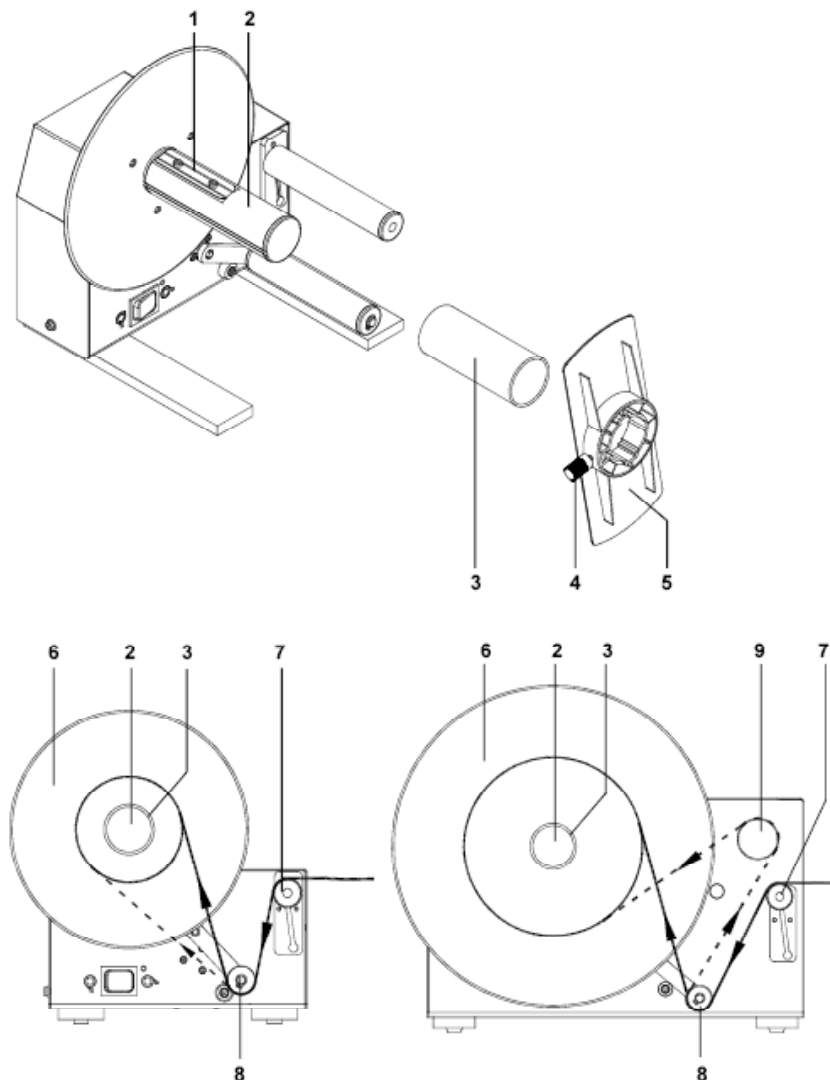


Figure 8

PR10/15

PR12/17

**NOTICE!**

The cardboard core (3) must be approx. 1 mm wider than the label band!

1. Insert the cardboard core (3) onto the rewinding shaft (2).
2. With consideration of the selected winding direction, guide the label band through the reverse roller (7) and switch roll (8) to the inserted cardboard core (3).
full line = labels outside
broken line = labels inside

**NOTICE!**

When using the rewinding units PR12 and PR17 with inside wound label rolls then the label band is to be led over the reverse roller (9).

**CAUTION!**

Danger of irregularities in the label band run!

⇒ Pay attention to a good fitting at the winding disk.

3. In consideration of the selected winding direction fix the label band with an adhesive strip at the cardboard core.
4. Slide the label guiding (5) with the collar outwards onto the rewinding shaft.

**NOTICE!**

When using small labels it is possible that the spring of the rewinding axis exceeds the cardboard core. In this case the cut-out of the label guiding is to be aligned in such a way that the cut-out is pushed onto the spring of the rewinding axis.

5. Tighten the knurled screw (4).

5.3 Rewinding onto 76 mm Cardboard Core



WARNING!

Risk of injury by rotating parts!

⇒ When switching on the rewinder starts immediately and winds until the label material is tightened.



NOTICE!

The cardboard core (5) must be approx. 1 mm wider than the label band!

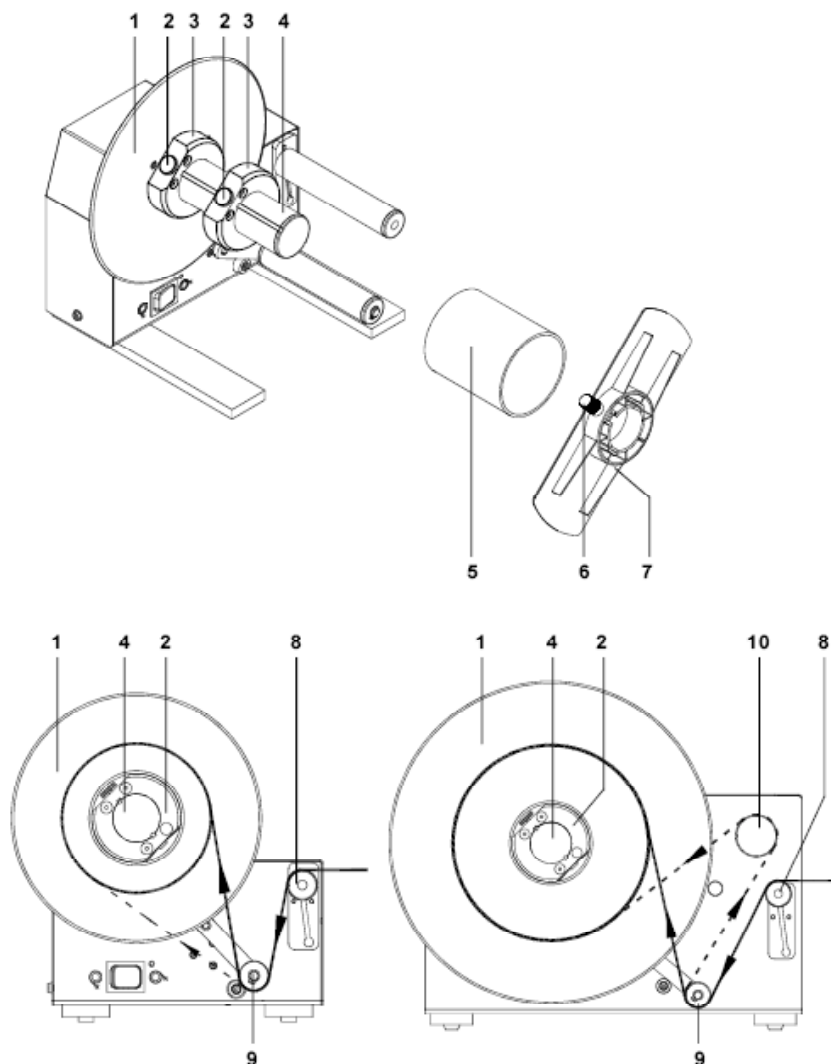


Figure 9

PR10/15

The figure is without label guiding

PR12/17

**NOTICE!**

The spring steel sheet must be removed from the rewinding axis.

1. Put the first roll ring (3) onto the rewind axis (4) and push the roll ring as far as possible onto the rewinding disk (1).
2. Guide the knurled screw (2) of roll ring in the nut of the rewinding axis.
3. Tighten the knurled screw (2).
4. Put the second roll ring (3) so far onto the rewinding axis (4) that the distance between outer edge of the roll ring and rewinding disk (1) is a little less than the width of the cardboard core.
5. Knurled screw (2) of roll ring must be led in the nut of the rewinding axis.
6. Tighten again the knurled screw.
7. insert the cardboard core (5) onto the roll rings (2).
8. With consideration of the selected winding direction, guide the label band through the reverse roller (8) and switch roll (9) to the attached cardboard core (5).
full line = labels outside
broken line = labels inside

**NOTICE!**

When using the rewinding units PR12 and PR17 with inside wound label rolls then the label band is to be led over the reverse roller (10).

**CAUTION!**

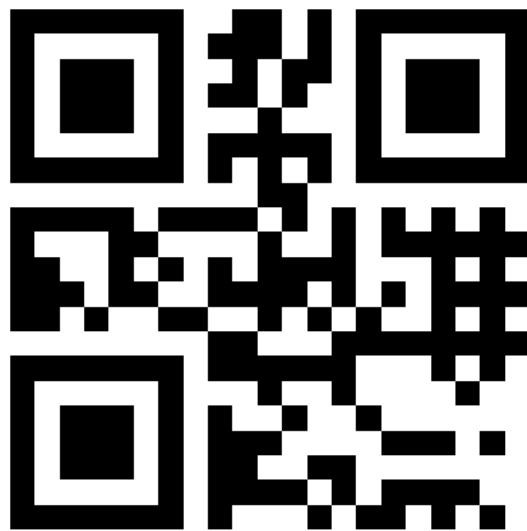
Danger of irregularities in the label band run!

⇒ Pay attention to a good fitting at the winding disk.

9. In consideration of the selected winding direction fix the label band with an adhesive strip at the cardboard core.
10. Slide the label guiding (7) with the collar outwards as far as it will go onto the rewinding shaft.
11. Tighten the knurled screw (6).

6 Index

C	
Connecting to electric circuit	14
Connecting to printer	15
D	
Device type.....	9
E	
Environmentally-friendly disposal.....	7
F	
Function.....	9
I	
Initiation	13
Instructions	5
Intended use.....	5
L	
Label rewinding	
40 mm cardboard core.....	21, 22
76 mm cardboard core.....	23, 24
Rewinding shaft (directly)	19, 20
O	
Overview.....	11
R	
Reverse roller	18
S	
Safety instructions	6
Scope of delivery	13
Setting up	13
T	
Technical data	10
U	
Unpacking	13
W	
Winding direction	17



REDEMAC

3540 Griffith St, Saint-Laurent, Quebec H4T 1A7

Phone: (888) 335-9570

www.redemac.com

request@redemac.com

