

**WPNP-400NI-12**  
**Non-Porous Web Printer**

U.S. PATENT NO. 5,109,769 E.P. PATENT NO. 0508971

Model Shown: WPNP-400NI-12

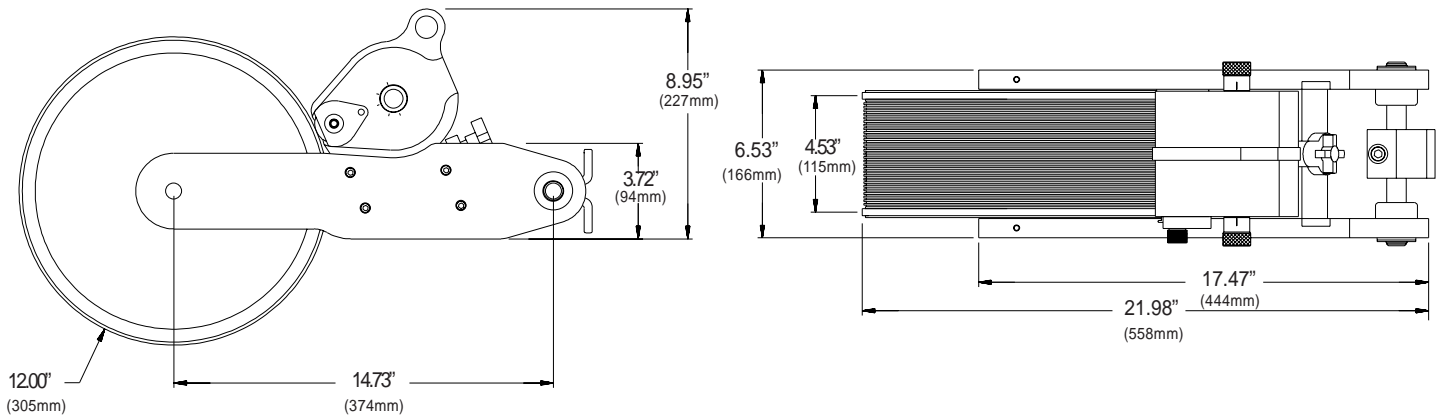


The WPNP-400NI-12 Non-Porous Web Printers meet the requirements for printing large text messages and logos on continuous web materials. Disposable Type MT Ink Rolls provide fast drying, permanent marks on plastic films, metal, rubber and glass materials. The 12" diameter Print Drum provides a 37.69" print repeat interval.

These coders are designed for top mount installations and are only available in a non-indexing (continuous print) model.

**FEATURES:**

- A 4" (100mm) print width capacity and a 37.69" (957mm) circumference Print Drum for large text messages.
- A modular version of Universal's patented Non-Porous Inking System which can be removed from the machine in seconds without the use of tools for off-line ink roll replacement.
- A rugged, dual frame, anodized aluminum construction with stainless steel shafts and axles.
- Universal RIBtype® die systems available in either standard and metric styles.



**Type MT Ink Rolls: Simple - Clean - Effective**

Ink is supplied to the coder by a disposable **Type MT** Ink Roll. These rolls produce exceptionally dense black marks which dry in 4-7 seconds at 24 degrees C. ambient temperatures on most non-porous surfaces. These disposable rolls yield up to 500,000 impressions in average usage. The roll is simply installed on the coder and replaced when the ink capacity is depleted. The MT Ink Rolls contain a fast drying solvent based ink and are designed for use only with our line of Non-Porous Coders.

The Type MT Ink Rolls are currently available in **Black, Green, Blue and Red**.



Manufactured By

**Universal Stenciling & Marking Systems, Inc.**

P.O. Box 871 - St. Petersburg, FL 33731 - U.S.A.

Ph: (727) 894-3027 Fax: (727) 821-7944 E-Mail: sales@universal-marking.com Website: www.universal-marking.com